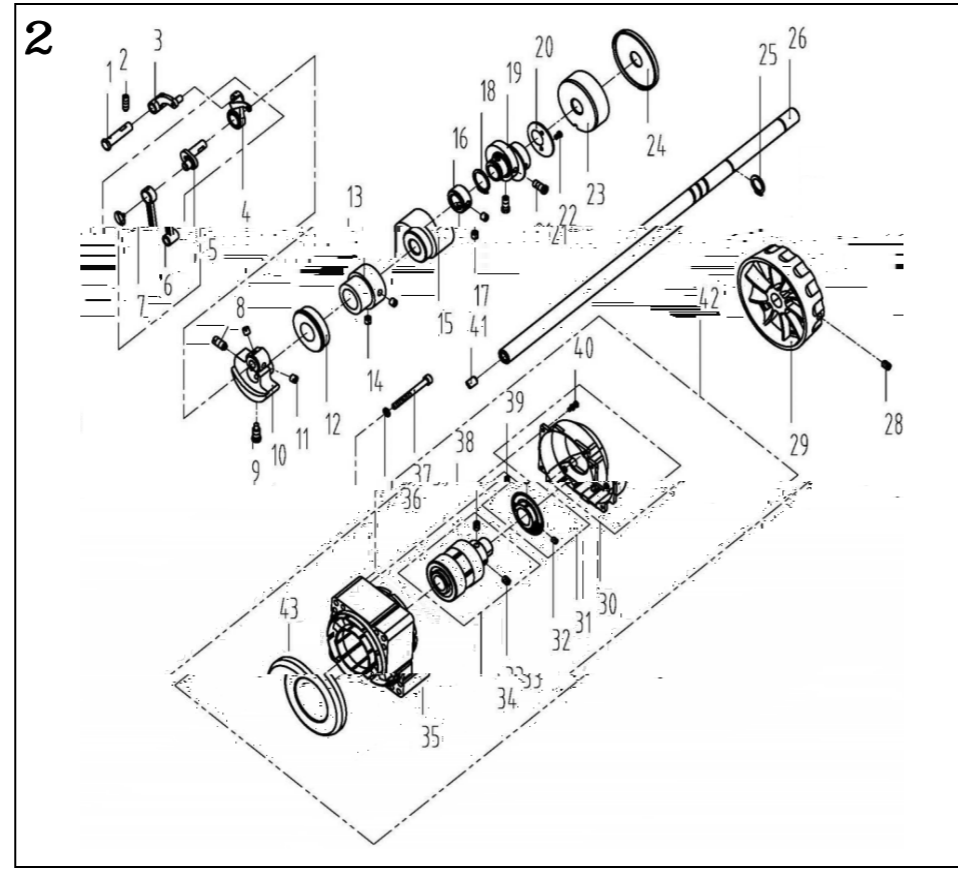


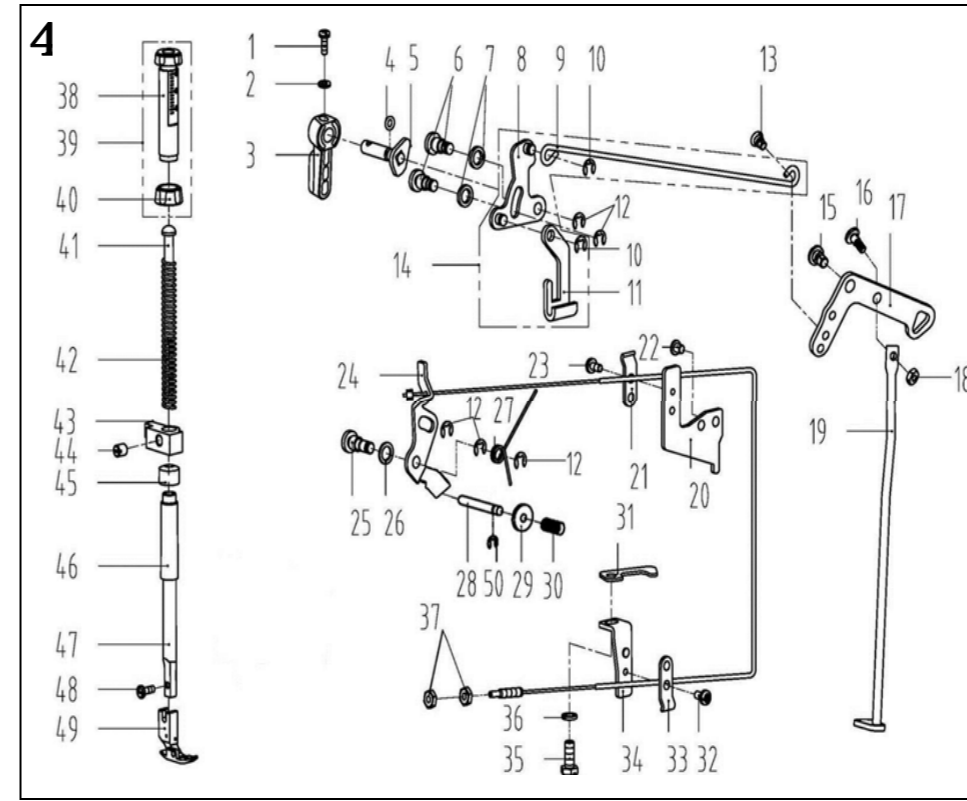
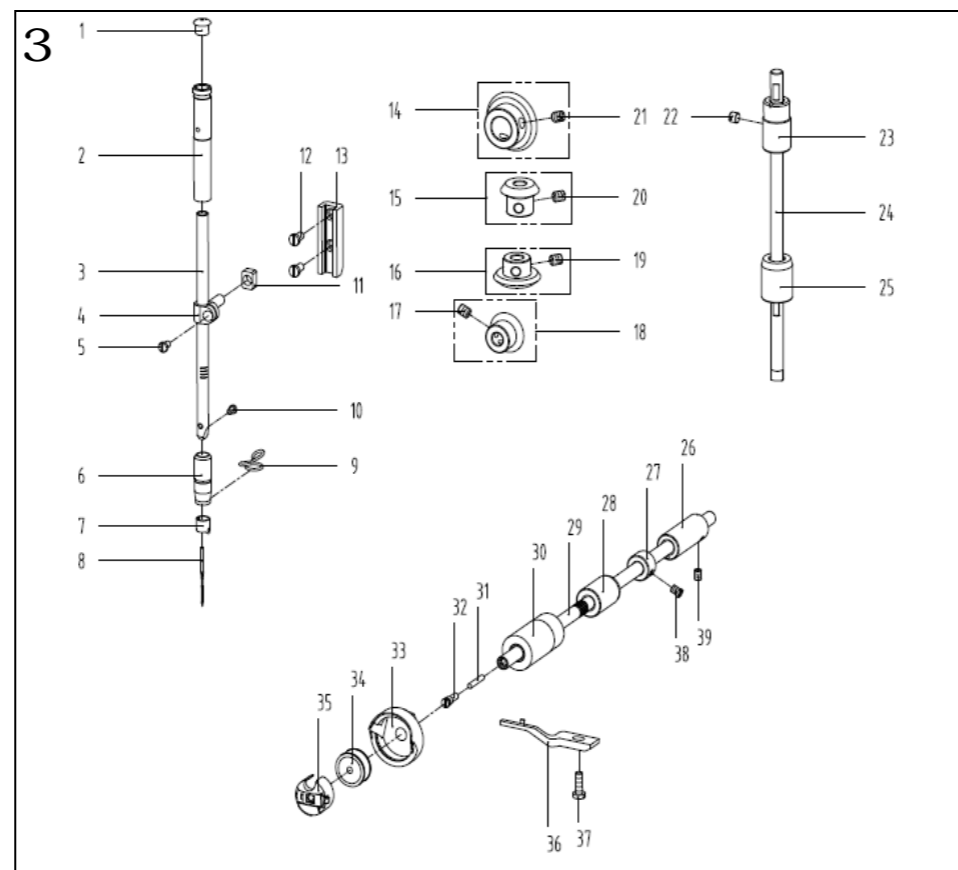
1. /Machine Frame & Miscellaneous Cover Components

NO	Part NO	Part Name	Description	Number
1	101511001	SM3/16" x 28 L=9	Screw SM3/16" x 28 L=9	3
2	10122003		Rubber plug	2
3	13837002		Head card	1
4	303819		Face plate asm	1
5	13813005		Thread guide left	1
6	101511007	SM1/8" x 40 L=6	Screw SM1/8" x 40 L=6	1
7	12822006		Face plate gasket	1
8	10122013		Rubber plug	1
9	10122005		Rubber plug	1
10	10122004		Rubber plug	1
11	101511004	SM1/16" x 28 L=7	Screw SM1/16" x 28 L=7	1
12	13812018		Thread take-up lever cover	1
13	101511004	SM1/16" x 28 L=7	Screw SM1/16" x 28 L=7	1
14	13512004		3-hole thread guide	1
15	10122005		Rubber plug	1
16	114511015	SM8/64" x 40 L=6	Screw SM8/64" x 40 L=6	2
17	11419001		Knife	1
18	20722002		Rubber plug	1
19	13822001		Rubber plug	2
20	13822007		Side plate gasket	1
21	303496		Side plate	1
22	101511001	SM3/16" x 28 L=9	Screw SM3/16" x 28 L=9	11
23	13812109		Fixed plate	1
24	S04010	M4x5.5	Screw M4x5.5	1
25	H05018	3.5x1	Circlip 3.5x1	1
26	13853007		Screw	1
27	114530001	( ) M6x25	Screw M6x25	1
28	114513001	M5x20	Screw M5x20	3
29	W01009	GB/T91.1-1985 5	Washer 5	2
30	13811031		Electronic control box	1
31	12922015		Rubber plug	1
32	13824009		Pin	1
33	138505001		Screw	1
34	A4011002		Panel seat	1
35	12833045		Control panel	1
36	101512001		Machine head stud	4
37	10122006		Rubber plug	1
38	10122007		Rubber plug	1
39	13822002		Decorative article	1
40	101511004		Screw	2
41	138130400		Thread tension asm	1
42	138516019		Thread tension nut	1
43	11227001		Thread tension spring	1
44	11212004		Thread tension disk	2
45	13810008		Thread tension post	1
46	138508006	SM1/16" x 28 L=7	Screw SM1/16" x 28 L=7	1
47	13812066		Thread tension guide plate	1
48	11322014	( )	Rubber plug	1
49	138130050		Thread tension asm	1
50	138516013		Thread tension nut	1
51	10112007		Thread disk rotating stopper	1
52	10127002		Thread tension spring A	1
53	10130002		Thread tension post	1
54	10112006		Disk stopper	1
55	10112005		Thread tension disk	2
56	10127001		Thread take-up spring	1
57	10103011		Thread tension base	1
58	101515005	SM9/64" x 40 L=5.5	Screw SM9/64" x 40 L=5.5	1
59	10122014	O	Rubber ring	1
60	10126030		Tension release pin	1
61	11413011		Thread guide	1
62	401516001	SM8/64" x 40	Nut SM8/64" x 40	1
63	101515010	SM5/64" x 28 L=10.5	Screw SM5/64" x 28 L=10.5	1
64	10113004		Thread guide right	1
65	101511007	SM1/8" x 40 L=6	Screw SM1/8" x 40 L=6	1
66	1383002700		Needle-less device	1
67	207514007	M6x8	Screw M6x8	1
68	101511019	SM3/32" x 56 L=2	Screw SM3/32" x 56 L=2	2
69	10127009		Slide plate spring	1
70	10115002		Slide plate	1
71	104517002	( )	Screw SM11/64" x 40 L=8.5	2
72	12815001	1/8	Needle plate	1
73	101517002	SM11/64" x 40 L=8.5	Screw SM11/64" x 40 L=8.5	2
74	401511040	U SM9/64" x 40 L=5	Screw SM9/64" x 40 L=5	1
75	12812002	U	Waste material U	1
76	12815004		Throat plate	1
77	12812028		Blanking baffle	1
78	12812026		Waste material	1
79	101511019	SM3/32" x 56 L=2	Screw SM3/32" x 56 L=2	2
80	14112004		Oil preventing plate	1
81	14123001		Oil cotton	1
82	14011009	( )	Side cover	1



2. /Main Shaft & Thread Take-up Components

NO	Part NO	Part Name	Description	Number
1	1222001		Thread take-up connecting rod pin	1
2	10151001	SM5/64" x 28 L=15	Screw SM5/64" x 28 L=15	1
3	1220001		Needle bar crank rod	1
4	12220000		Thread take-up lever asm	1
5	12200000		Thread take-up crank	1
6	1220002		Needle bar cradle rod	1
7	10151001	SM8/64" x 40 L=6	Screw SM8/64" x 40 L=6	1
8	10151004	SM3/32" x 28 L=16	Screw SM3/32" x 28 L=16	1
9	10151003	SM3/32" x 28 L=16	Screw SM3/32" x 28 L=16	1
10	1280001		Needle bar crank	1
11	10151002	SM/4" x 40 L=6	Screw SM/4" x 40 L=6	2
12	B0003		Washer	1
13	1220001		Main shaft front bushing	1
14	S10019		Mit	2
15	1280005		Main shaft bushing nut	1
16	1010001		Main shaft thrust collar	1
17	10151001		Screw	1
18	H0002	20	Snap ring 20	1
19	40002		Feed eccentric cam	1
20	1011017		Over plate	1
21	10151013	SM/4" x 40 L=13	Screw SM/4" x 40 L=13	2
22	11311003	SM8/64" x 40 L=5	Screw SM8/64" x 40 L=5	2
23	1380002		Main shaft bushing back	1
24	10122005		O1 seal	1
25	H0001	GB/T801.1-1986 15	Snap ring 15	1
26	1280001		Main shaft	1
28	S10009		Mit	2
29	34880		Hardhead	1
30	13830000		Mit	1
31	13830000		Mit	1
32	GB/T77.2-2000	M6x4	Screw M6x4	1
33	GB/T77.2-2000	M6x6	Screw M6x6	1
34	13830000		Mit	1
35	13830000		Mit	1
36	GB/T83.1987	5	Spring washer 5	4
37	GB/T201.1-2000	M6x50x8	Screw M6x50x8	4
38	GB/T78.2-2000	M6x8	Screw M6x8	1
39	GB/T78.2-2000	M6x4	Screw M6x4	1
40	GB/T904.8		Screw	6
41	10122012		Rubber plug	1
42	13830000	ZB-M4-25A	Mit	1
43	13811000		Mit	1

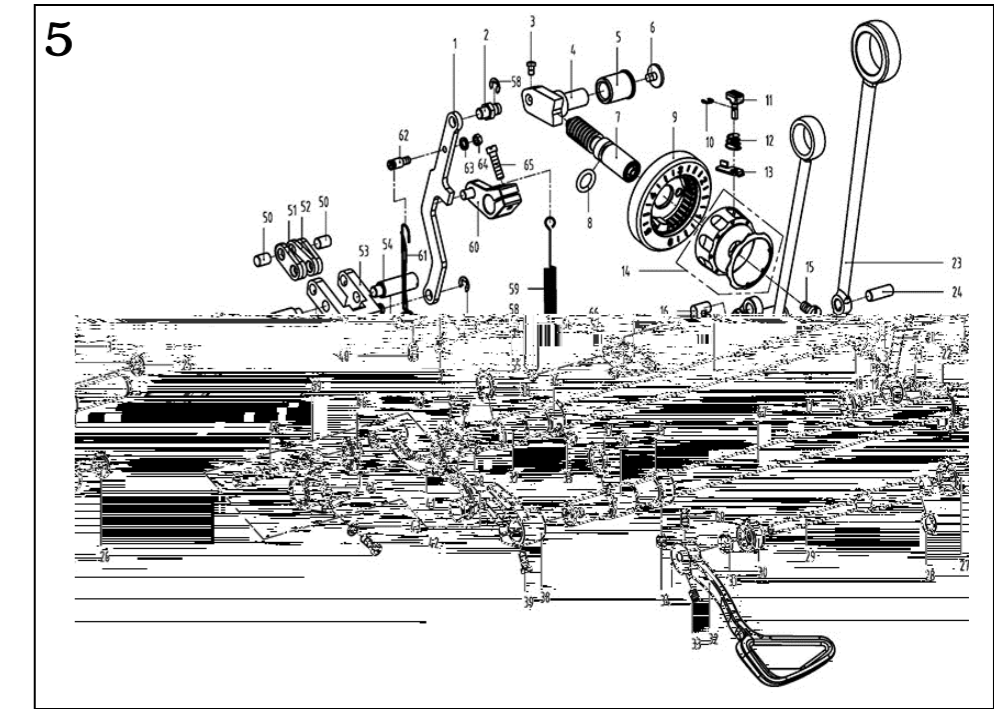


4. /Presser Bar Components

NO	Part NO	Part Name	Description	Number
1	10151010	SM8/64" x 40 L=11	Screw SM8/64" x 40 L=11	1
2	10128002		Washer	1
3	13811029		Hard lifter	1
4	O1004	O	Hard lifter cam	1
5	13810000		Hard lifter cam	1
6	10152001		Screw	2
7	10128015		Washer	2
8	13810000		Hard lifter front component	1
9	1011003		Washer lifter pull rod	1
10	H0003	GB/T800.1986 5	Snap ring 5	2
11	1011000		Lifter plate	1
12	1132002	5	Snap ring 5	5
13	10150004	SM1/16" x 32	Washer SM1/16" x 32	1
14	13810000		Hard lifter lever asm	1
15	10150003	SM5/64" x 28	Washer SM5/64" x 28	1
16	12830003	SM1/8" x 40	Washer SM1/8" x 40	1
17	12813033		Washer lifter back lever	1
18	11251003	SM1/8" x 40	Nut SM1/8" x 40	1
19	12813032		Washer lifter connecting rod	1
20	11213000		Washer lifter bracket upper	1
21	11213008		Washer lifter bracket lower	1
22	10151004	SM1/16" x 28 L=7	Screw SM1/16" x 28 L=7	1
23	113511004	M6x8	Screw M6x8	1
24	138120100		Washer lifter plate asm	1
25	10150002		Washer lifter plate pin	1
26	10220015		Washer lifter	1
27	1142000		Washer lifter	1
28	10150003		Washer lifter supporting pin	1
29	10150001		Washer lifter	1
30	10220013		Washer lifter	1
31	10113022		Tube press plate	1
32	113511004	M6x8	Screw M6x8	1
33	11213008		Washer lifter A	1
34	11313001		Washer lifter bracket lower	1
35	11053003	SM5/64" x 28 L=14.5	Screw SM5/64" x 28 L=14.5	1
36	W0004		Spring washer	1
37	113512001	SM1/16" x 32	Nut SM1/16" x 32	2
38	13811027		Press regulating screw	1
39	1381102700		Presser regulating screw nut asm	1
40	13811028		Press regulating nut	1
41	10150003		Presser bar guide bar	1
42	11420013		Presser bar guide bracket	1
43	13801000		Presser bar guide bar	1
44	10151017	SM/4" x 40 L=8	Screw SM/4" x 40 L=8	1
45	10122112		Presser bar oil cover	1
46	10150012		Presser bar bushing lower	1
47	12813032		Presser bar bushing upper	1
48	101511009	SM8/64" x 40 L=10.5	Screw SM8/64" x 40 L=10.5	1
49	12810000	2 (1/8")	Presser foot asm	1

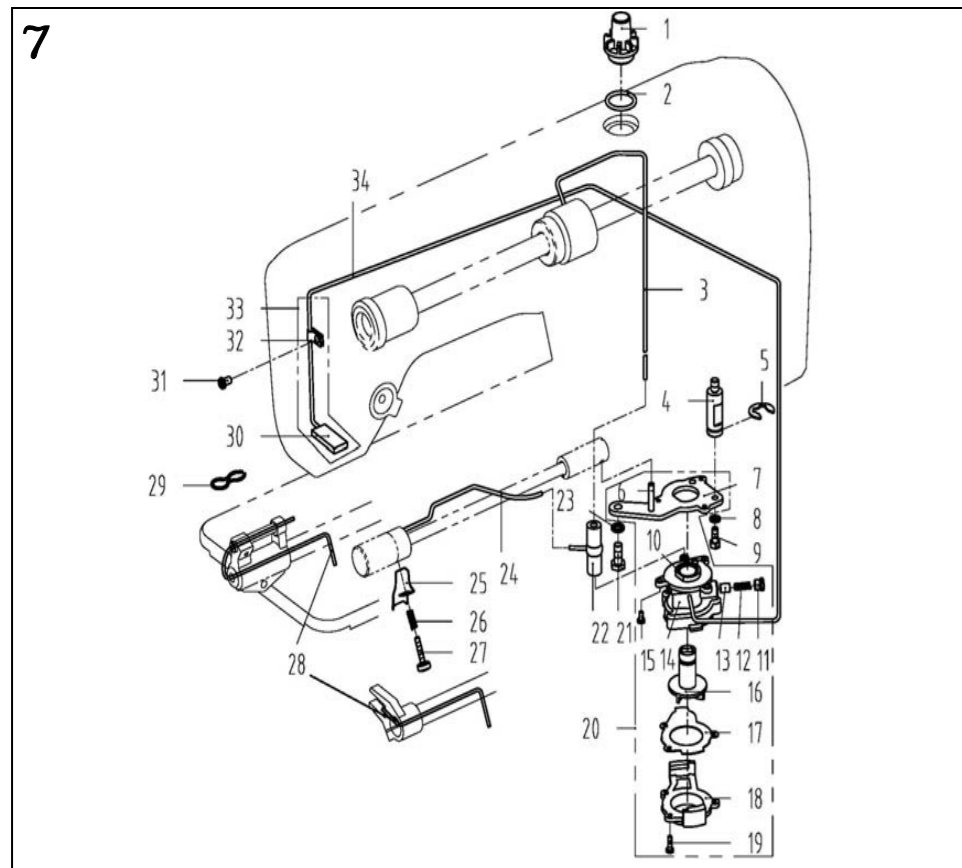
3. /Needle Bar, Upright Shaft & Hook Driving Shaft Components

NO	Part NO	Part Name	Description	Number
1	10122013		Rubber plug	1
2	10150000		Needle bar bushing upper	1
3	1280008	(110)	Needle bar	1
4	1013002		Needle bar connecting rod	1
5	10151005	SM8/64" x 40 L=6	Screw SM8/64" x 40 L=6	1
6	10150000		Needle bar bushing lower	1
7	1011002		Needle bar thread guide	1
8	1011001	14#	Needle	1
9	1011000		Lower bushing thread guide	1
10	101511006	( ) SM/8" x 44 L=4.5	Screw SM/8" x 44 L=4.5	1
11	1010001		Slide block	1
12	101511008	SM1/8" x 40 L=8	Screw SM1/8" x 40 L=8	2
13	1010002		Needle bar guide	1
14	1042004		Upper shaft bevel gear	1
15	1042003		Upper small bevel gear asm	1
16	1042002		Lower large bevel gear asm	1
17	10151304	SM/4" x 40 L=7	Screw SM/4" x 40 L=7	2
18	1042001		Hook drive shaft bevel gear	1
19	10151304	SM/4" x 40 L=7	Screw SM/4" x 40 L=7	2
20	10151304	SM/4" x 40 L=7	Screw SM/4" x 40 L=7	2
21	10151304	SM/4" x 40 L=7	Screw SM/4" x 40 L=7	2
22	113511006	SM5/64" x 28 L=4.7	Screw SM5/64" x 28 L=4.7	1
23	1010007		Upright shaft bushing upper	1
24	1010007		Upright shaft bushing lower	1
25	1010013		Hook driving shaft bushing back	1
26	1010010		Hook driving shaft bushing front	1
27	1010002		Hook driving shaft snap ring	1
28	1132002		Lower shaft bushing	1
29	1130003		Hook driving shaft	1
30	1130001		Hook driving shaft bushing front	1
31	1012000		O1 wick	1
32	10130005		Set screw	1
33	11418003		Hook asm Hirose	1
34	10118003		Hook case	1
35	11218004		Hook case asm	1
36	10118006		Hook stopper	1
37	110511005	SM1/8" x 40 L=13	Screw SM1/8" x 40 L=13	1
38	10151012	SM1/8" x 40 L=4.8	Screw SM1/8" x 40 L=4.8	2
39	113511000	SM1/8" x 40 L=6	Screw SM1/8" x 40 L=6	1



5. /Feed Mechanism Components

NO	Part NO	Part Name	Description	Number
1	11400015		Reverse feed connecting rod	1
2	11400021		Connecting rod pin	1
3	101511005	SM8/64" x 40 L=6	Screw SM8/64" x 40 L=6	6
4	1010003		Feed regulator	1
5	11400043		Feed regulator bushing	1
6	101511023	SM1/16" x 28 L=6.5	Screw SM1/16" x 28 L=6.5	1
7	13880006		Feed regulator stud	1
8	10122016	O	Rubber ring	1
9	13811008		Fixing dial plate	1
10	H0008	GB/T800.1986 3.5	Snap ring 3.5	2
11	13811009		Dial plate button	1
12	13820002		Snap ring	1
13	13810010		Wire limit switch	1
14	13810000		Wire component	1
15	101511022	SM1/16" x 28 L=18	Screw SM1/16" x 28 L=18	1
16	1012001		Feed roller crank pin	1
17	10150005	SM1/16" x 28	Washer SM1/16" x 28	1
18	10104002		Feed roller shaft crank</	

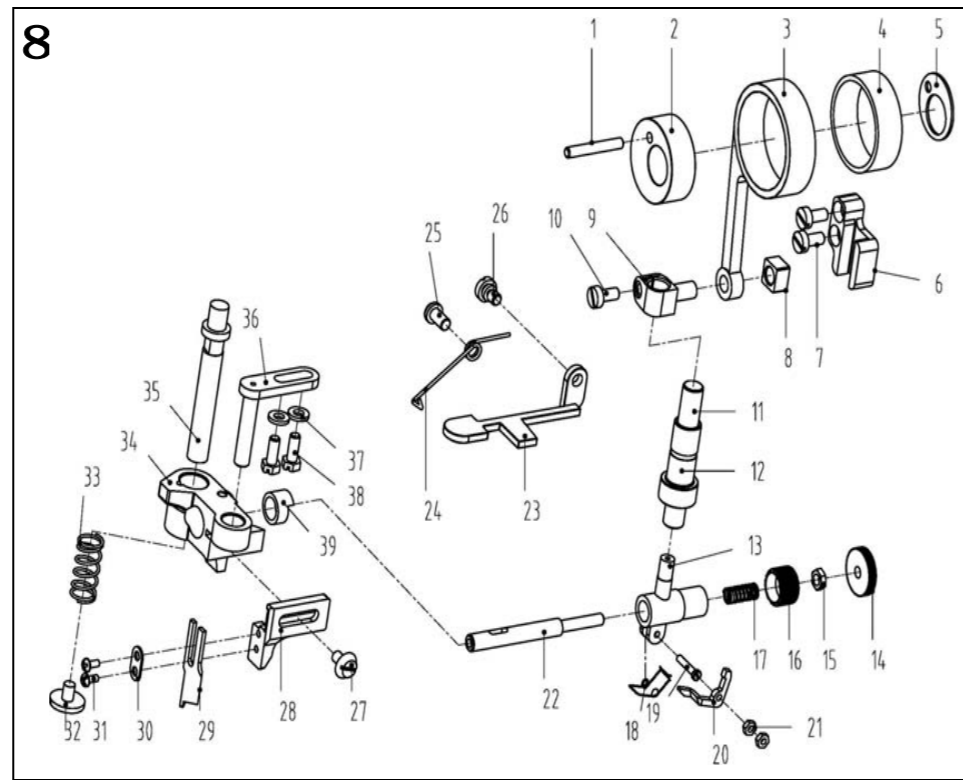


7. /Oil Lubrication Components

NO	Part NO	Part Name	Description	Number
1	1121004		Oil sight window	1
2	10122019	O	Rubber ring	1
3	1412101		M16 shaft oil tube	1
4	112S3005		Oil pump connecting stud	1
5	112S3010	10	Snap ring 10	1
6	1012101		Werk driving shaft oil tube	1
7	1012103		Oil pump installing base	1
8	WB002		Spring washer	1
9	201S1001	SM1/64 × 40 L=10.5	Screw SM1/64 × 40 L=10.5	1
10	1012102		Oil pump bushing	1
11	101S1007		Plunger screw	1
12	1012103		Plunger spring	1
13	10122018		Plunger	1
14	1012101		Oil pump	1
15	SO103		Screw	3
16	1011103		Oil pump impeller	1
17	1011212		Oil pump impeller cover	1
18	1011107		Lubricating oil pump cover	1
19	101S1006		Lubricating oil pump component	3
20	10123000		Lubricating oil pump component	1
21	116S1003	SM5/64 × 28 L=14.5	Screw SM5/64 × 28 L=14.5	1
22	1013001		Rubber joint	1
23	WB001	GB/T93-1987 M6	Spring Washer M6	1
24	12S1015		Werk oil tube	1
25	1121201		Oil shield cover	1
26	13S1014		Spring	1
27	11S1001		Screw	1
28	1012105		Oil vick	1
29	1012105		Oil felt clamp	1
30	1012103		Oil felt felt	1
31	101S1004	SM1/64 × 28 L=7	Screw SM1/64 × 28 L=7	1
32	1011213		Oil tube clamp	1
33	1012107		Oil return tube component	1
34	1012108		Oil return tube	1

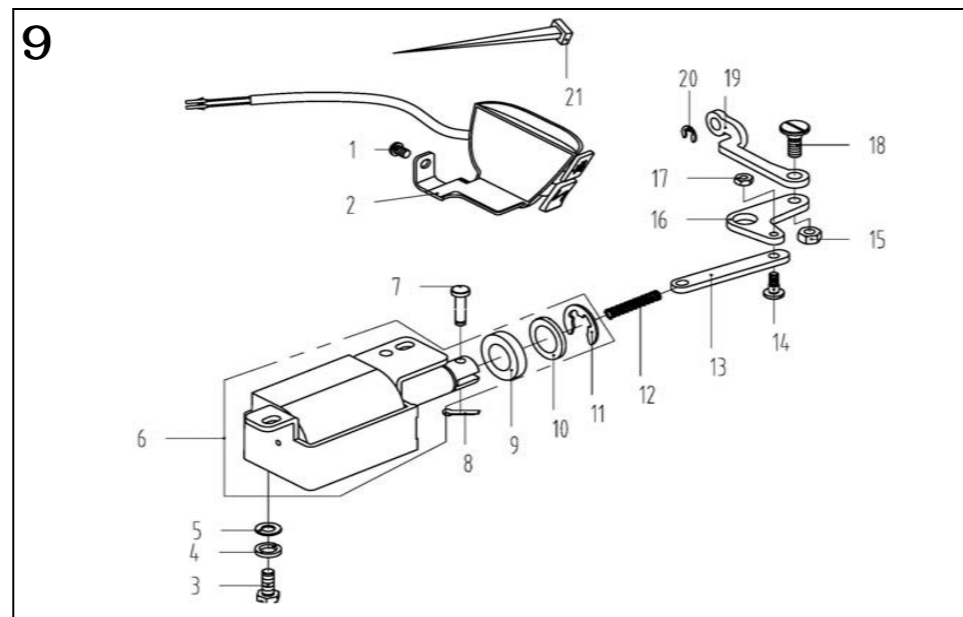
6. /Thread Trimmer Components

NO	Part NO	Part Name	Description	Number
1	11S11002	SM1/8×44 L=9.5	Screw SM1/8×44 L=9.5	1
2	11S1001		Seal knife	1
3	11S11001	SM1/64×40	Screw SM1/64×40	1
4	11S1013		Needle guard patch	1
5	201S1009	SM1/64×40 L=5.5	Screw SM1/64×40 L=5.5	1
6	11S11001	SM1/64×40 L=12	Screw SM1/64×40 L=12	2
7	1012803		Washer	2
8	13S12100		Knife bracket press component	1
9	13S12101		Knife bracket press	1
10	13S1012		Start bushing	2
11	11S11002	SM1/64×40 L=4.4	Screw SM1/64×40 L=4.4	2
12	11S1002		Merical knife	1
13	11S1001		Knife bracket	1
14	11S1001	SM1/64×40	Hinge Screw SM1/64×40	2
15	11S1205		Connecting rod	1
16	11S1004	SM1/64×40	Nut SM1/64×40	1
17	11S1001		Crank	1
18	11S1001		Crank driver stopper block	1
19	S0101	M14	Screw M14	1
20	11S1001		Spring	1
21	11S1001	H4	Pin	1
22	11S1001		Pin	1
23	12S1008		Thread cutting shaft bushing	1
24	11S1005		Crank drive shaft bushing	1
25	11S14030	SM1/64×40 L=6	Screw SM1/64×40 L=6	1
26	11S1212		Spring cover	1
27	11S1212		Spring	1
28	12S1015		Crack shaft	1
29	101S1400		Screw SM1/4×40 L=6	1
30	110614005	SM1/4×40 L=10	Screw SM1/4×40 L=10	2
31	11S1001		Push rod	2
32	11S1004		Cam	1
33	11S1001		Rolling pin	1
34	11S1002	SM1/64×40	Nut SM1/64×40	1
35	11S1005		Thread trimmer drive arm	1
36	11S1002		Shaft	1
37	11S1001		Feed limiting block	1
38	10101	GB/T909-1986	Snap ring	1
39	1012103		Outer weight protection	1
40	11S1003		Solenoid cushion rubber	1
41	11S1001		Solenoid pin	1
42	101S11038	SM5/64×28 L=9	Screw SM5/64×28 L=9	1
43	11S1003		Solenoid bracket	1
44	NO105	M	Nut M	2
45	WB018	GB/T93-1987 4	Spring washer M4	2
46	11S1003	SM1/4×40	Nut SM1/4×40	1
47	11S12005		Washer	1
48	13S101300		Thread trimmer solenoid arm	1
49	11S12001		Spring	1
50	11S12007		Thread release bed	1
51	11S12002	SM1/4×28	Screw SM1/4×28	1



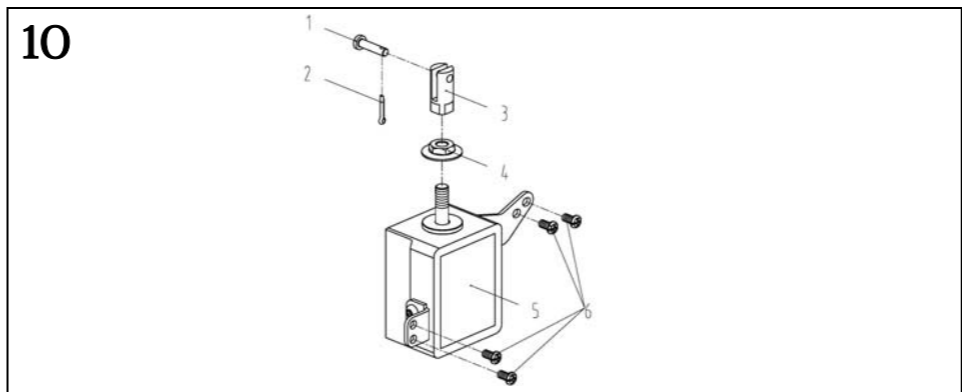
8. Knife Components

NO	Part NO	Part Name	Description	Number
1	1271001		Pin	1
2	1271002		Knife cam	1
3	1251003		Knife connecting rod	1
4	12710010		Knife connecting rod bearing	1
5	1281005		Cover plate	1
6	1281001	SM1/64×10 L=8	Screw SM1/64×10 L=8	2
7	101S11008		Slide block	1
8	1281002		Slide block guide rail	1
9	1281002		Knife driving stud connecting arm	1
10	201S11010	SM1/64×10 L=9.5	Screw SM1/64×10 L=9.5	1
11	1281003	TL	Knife shaft	1
12	1281001		Bushing	1
13	1281003		Knife driving rod clutch bracket	1
14	1281101		Knob	1
15	201S1003	N63	Nut	1
16	1281002		Cap	1
17	1281001		Spring	1
18	1281002		Pin	1
19	1281001		Pin	1
20	1281001		Knife release rod	1
21	NO108	GB/T9170-1986	Q/T9170-1986.5 Nut M6 5	2
22	1281001		Knife driving rod clutch pin	1
23	1281001		Knife bed component pull down handle spring	1
24	1281008		Spring	1
25	1281101		Screw SM1/64×28 L=14	1
26	1281005	SM1/64×40	Washer SM1/64×40	1
27	1281101	SM1/64×10 L=8	Screw SM1/64×10 L=8	1
28	1281004		Knife bracket	1
29	1281001		Knife	1
30	1281003		Press plate	1
31	101S11027	SM1/8×44 L=6	Screw SM1/8×44 L=6	2
32	101S11023	SM1/64×28 L=6.5	Screw SM1/64×28 L=6.5	1
33	1281007		Spring	1
34	1281010		Knife bed component	1
35	1281012	TL	Knife bed shaft	1
36	1281004	(TL)	Knife bed guide rod	1
37	1281001		Washer	2
38	201S1201	SM1/64×10 L=8	Screw SM1/64×10 L=8	2
39	1281003		Knife bed component bushing right	1



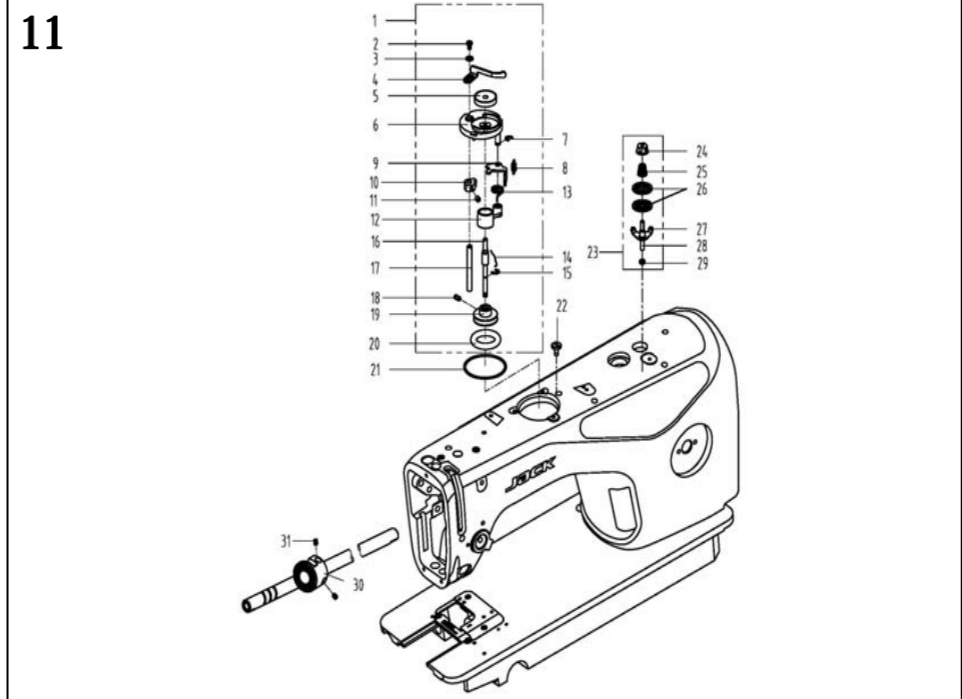
9. /Automatic Reverse Feed Components

NO	Part NO	Part Name	Description	Number
1	101S11004	SM1/64×28 L=7	Screw SM1/64×28 L=7	1
2	1281010		Auto reverse feed switch arm	1
3	110S1003	SM5/64×28 L=14.5	Screw SM5/64×28 L=14.5	2
4	WB001	GB/T93-1987 M6	Spring washer M6	2
5	110S1005		Washer	2
6	1281010		Auto reverse feed solenoid	1
7	13S1001		Snap ring	1
8	11S1001	R 1.5	Gutter pin	1
9	11S1001		Washer	1
10	11S1001		Spring ring	1
11	H0101	GB/T909-1986	Plunger spring	1
12	1122006		Auto reverse feed connecting rod	1
13	13S1014		Hinge Screw SM1/64×40	1
14	112S1012	SM1/64×40	Nut SM1/64×40	1
15	11S1007	SM1/4×28	Screw SM1/4×28	1
16	11S1003		Nut SM1/64×40	1
17	11S1008	SM1/64×40	Hinge Screw SM1/64×40	1
18	11S1001	SM1/4×28	Auto reverse feed pull shaft	1
19	13S1207		Spring	1
20	1281003		Snap ring 7	1
21	11211005		Gutter head	1



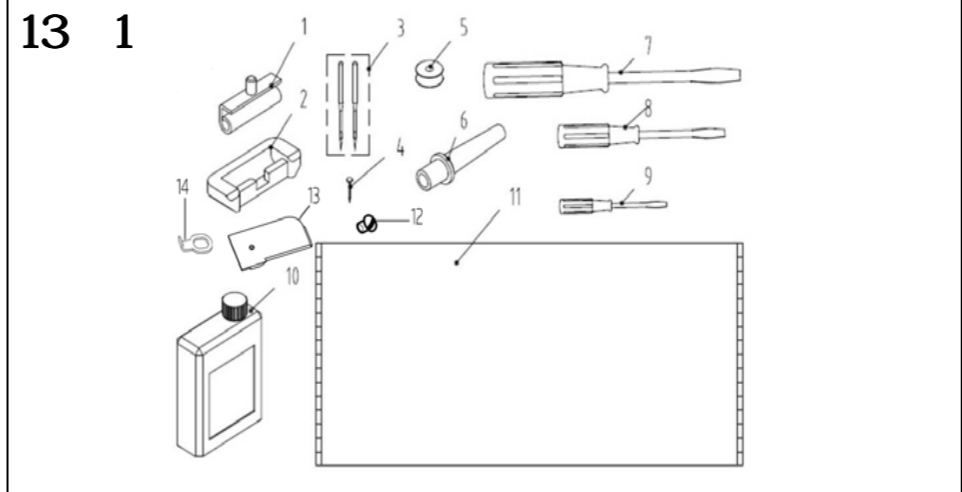
10. /Auto Lifter Components

NO	Part NO	Part Name	Description	Number
1	113S1005		Pin	1
2	113S1001	R 1.5	Gutter pin	1
3	113S1006		Solenoid connector	1
4	113S1004	M6	Flange nuts M6	1
5	141300100		Solenoid arm	1
6	101S11001	SM1/64×28 L=9	screw SM1/64×28 L=9	4



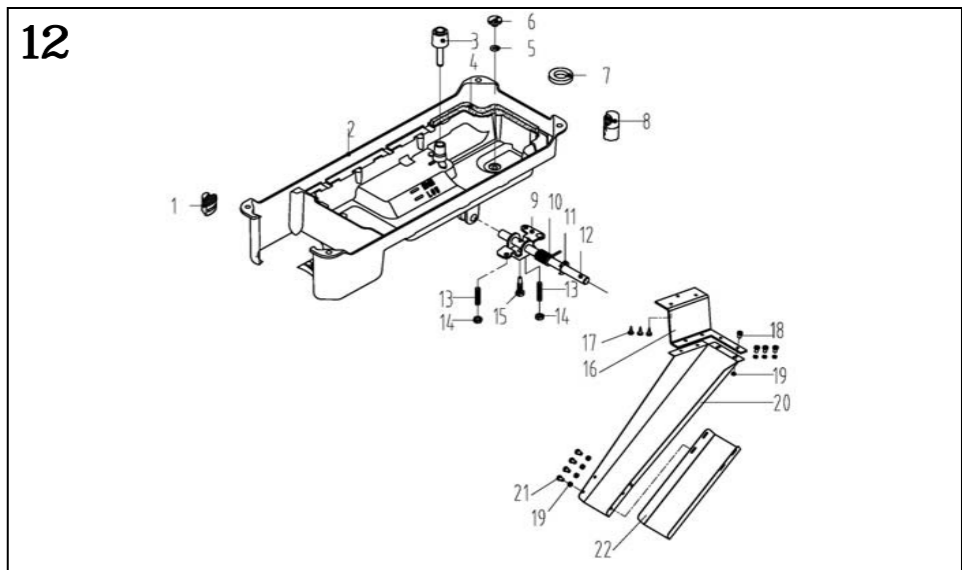
11. / Bobbin Components

NO	Part NO	Part Name	Description	Number
1	13S10300		Bobbin winder asm	1
2	11S11008	M6	Screw M6	1
3	GB/T93-1		Washer	1
4	1011300		Thread press control plate	1
5	1011100		Bobbin winder pad	1
6	13S1101		Bobbin winder bed	1
7	GB/T 809-1986		Spring	1
8	1012101		Spring	1
9	13S1210		Bobbin winder plate	1
10	1011000		Bobbin winder cam	1
11	S0105		Screw	1
12	13S10300		Bobbin winder connecting rod	1
13	13S1213		Spring	1
14	1012100		Spring	1
15	GB/T 809-1986		Spring	1
16	13S1211		Bobbin winder main shaft	1
17	13S1216		Bobbin winder camshaft	1
18	S0103		Screw	2
19	13S1102		Bobbin winder wheel	1
20	101110	O	Ring	1
21	11S1103		Washer	1
22	11S11010	SM1/64×28 L=10	Screw SM1/64×28 L=10	3
23	13S101000		Bobbin thread tension arm	1
24	13S1104		Thread tension nut	1
25	11S1210		Spring	1
26	1011205		Thread tension disk	2
27	11S1302		Thread tension guide plate	1
28	11S1304		Screw	1
29	11S1101	SM1/64×40	Nut SM1/64×40	1
30	12S1005		Balance	1
31	S1000	M6 8	Screw M6 8	2



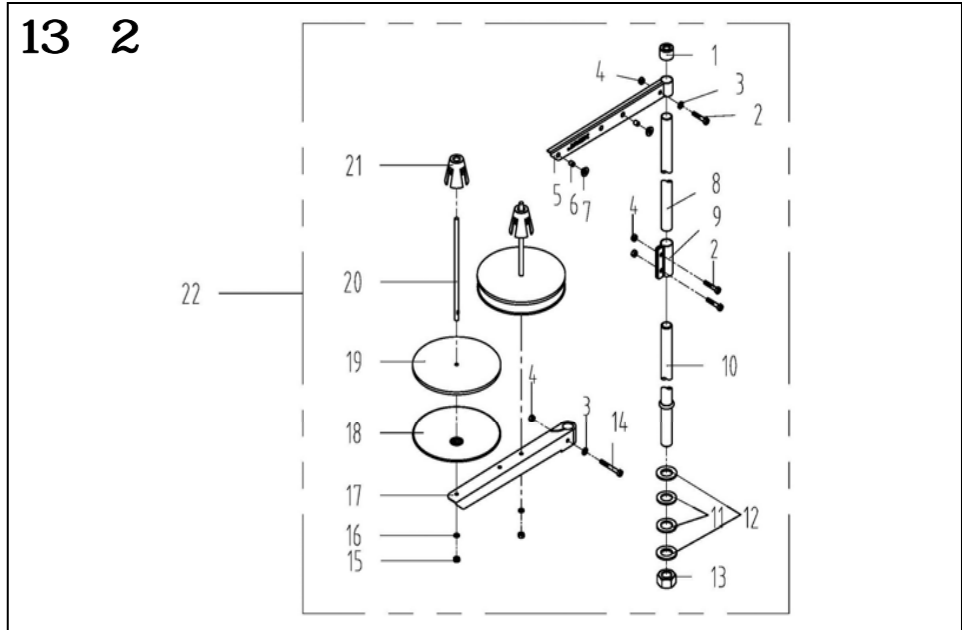
13. (1)/Machine Head Accessories(2)

NO	Part NO	Part Name	Description	Number
1	101130100		Hinge component	2
2	1012200		Head connecting rubber cushion	2
3	1011101		Needle	4
4	101S1010		Nut	4
5	1011803		Bobbin	2
6	1011101		Machine head rest pin	1
7	2073107		Screw driver, large	1
8	1013103		Screw driver, medium	1
9	1013104		Screw driver, small	1
10	101110100		Gutter component	1
11	11413101		Dust cover	1
12	30S11005		Screw	1
13	12S1006		Needle plate cover	1
14	12S1204		Spring	1



12. /Oil Reservoir, Knee Lifter Components

NO	Part NO	Part Name	Description	Number
1	1012202		Oil reservoir rubber cushion	2
2	12S1000		Oil reservoir	1
3	10111005		Knee lifter push rod	1
4	1012200		Oil Reservoir gasket	1
5	1012201	O	Rubber ring	1
6	101S11028	SM1/64×24 L=7	Screw SM1/64×24 L=7	1
7	1013101		Oil reservoir magnet	1
8	1012203		Oil reservoir rubber cushion	2
9	1011237		Knee lifter crank	1
10	1012106		Knee lifter spring	1
11	H0101	GB/T909-1986 10	Plunger 10	1
12	1013101		Knee lifter shaft	1
13	101S1012	M6 L=30	Screw M6 L=30	2
14	101S1004	M6 L=4	Nut M6 L=4	2
15	101S1002	M6 L=23	Screw M6 L=23	1
16	S1012		Wood material chase holder	1
17	12S13001	M6x16	Wood screw M6x16	3
18	S1001	GB/T3074.6-1988	Screw	4
19	NO105	GB/T9170-1986 M6	Nut M6	8
20	S1011		Wood material chase	1
21	S1002	M6x8	Screw M6x8	4
22	S1015		Wood material chase	1



13. (2)- /Machine Head Accessories(1)-Thread Stand Components

NO	Part NO	Part Name	Description	Number
1	20131019		Spool rest rod rubber cap	1
2	S0100	M6 L=16	Screw M6 L=16	3
3	NO107	M6	Washer M6	2
4	NO104	M6	Nut M6	4
5	13S1022		Spool rest arm upper	1
6	10113011		Thread guide ring	2
7	10113010	( )	Thread guide ring	2
8	13S1019		Spool rest rod upper	1
9	13S1021		Spool rest rod joint	1
10	13S1020		Spool rest rod lower	1
11	10122105		Spool rest rod rubber ring	2
12	NO108	M6	Washer M6	2
13	NO108	M6		